



### Model Number

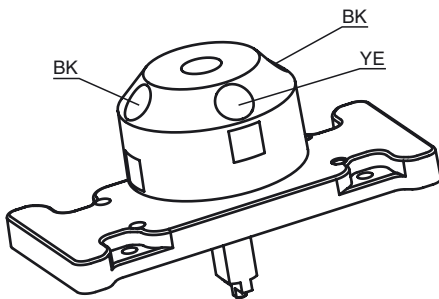
**MH-BT65A**

Mounting base

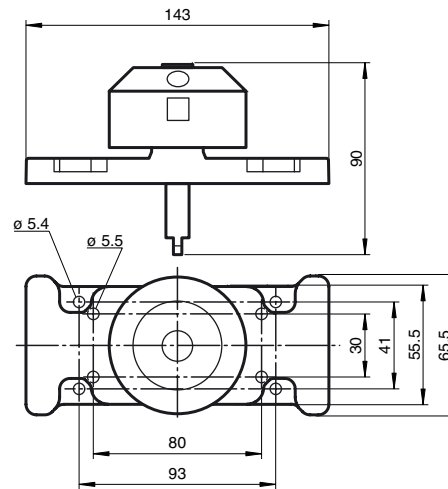
### Features

- Mounting plate with shaft and actuator BT65
- Hole pattern 30 x 80 mm

### Additional Information



### Dimensions



### Technical data

#### Ambient conditions

Ambient temperature -25 ... 70 °C (-13 ... 158 °F)

#### Mechanical specifications

Housing material

Material PA 12

Mounting screw pan head screws Mounting base  
DIN 912 With Allen screw

#### General information

Scope of delivery

Mounting base  
Mounting plate fixing screw  
4 x socket cap screw DIN 912, M5x12, stainless steel with hexagon socket  
4 x serrated lock washer DIN 6797, shape J  
Fixing screw for sensor F31  
2 x socket head cap screw DIN 912, M5X16, stainless steel with hexagon socket  
Fixing screw for sensor F31K  
2 x socket head cap screw DIN 912, M5X20, stainless steel with hexagon socket